



EXPERIENCE WATER ADVENTURE WITH **DiCAPac® AQURUN®**



DiCAPac[®]

DIGITAL DEVICE WATERPROOF CASE

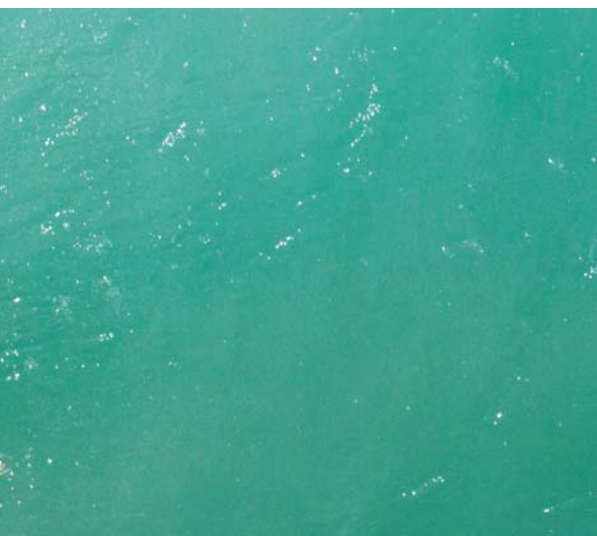
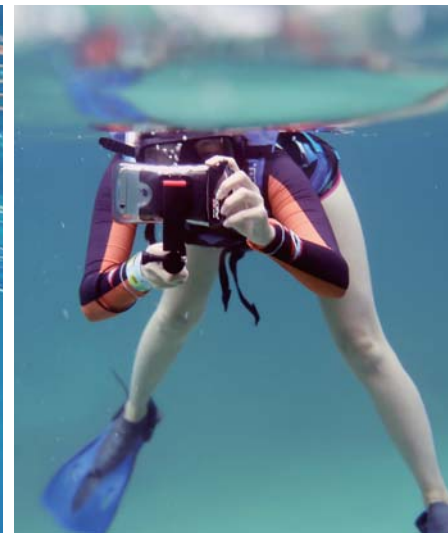
AQURUN[®]



Since 2005, DiCAPac has been your source of patented waterproof cases for digital devices to take photos and videos underwater up to 10M(33ft).

Here at DiCAPac, we are dedicated to provide the highest quality waterproof cases for camera, smartphones and other consumer electronics from anywhere in the world.

DiCAPac received Korean government awards for export excellence. We are now supplying waterproof cases to more than 60 countries worldwide.



In May 2015, DiCAPac extended its ambition to launch a premium aqua shoe brand, AQURUN.

2021~

- 2023. Easy-Lock waterproof locking device upgrade.
Waterproof sling bag upgrade.
- 2022. Launched golf brand PARABOLA.
- 2020. Development of Easy-Lock waterproof locking device.
Launched Easy Lock smartphone waterproof case.
Launched Waterproof sling bag.

2016
~ 2020

- 2020. Launched AQURUN cooling mask.
- 2019. Launched AQURUN white outsole aqua shoes.
- 2018. Launched AQURUN air pump-up pillow.
Launched AQURUN ultra cool towel.
- 2017. Launched AQURUN slippers.
Launched aqua shoes mid-top.
- 2016. DSLR camera waterproof case upgrade.
Launched DiCAPac Sports.

2011
~ 2015

- 2015. Launched aqua shoes brand, AQURUN.
Launched aqua socks brand, AQUWALK.
Launched DiCAPac Action.
- 2013. Launched iPad waterproof case.
- 2012. Launched android smartphone waterproof case.
Launched mirrorless camera waterproof case.

2005
~ 2010

- 2010. Launched iPhone waterproof case.
- 2008. Completion DiCAPac Co., Ltd. plant and company building.
- 2007. Established DiCAPac USA branch.
Launched DSLR camera waterproof case.
- 2005. DiCAPac Co., Ltd. head office DiCAPac plant.
Launched digital camera waterproof case.



Waterproof Sling bag

DiCAPac Brand Introduction	2
What is IPX8	5
Smartphone Waterproof Case	6
Multipurpose Waterproof Case	9
DSLR Camera Waterproof Case	11
AQRUN Brand Introduction	14
AQRUN Sizes	16
AQRUN Details	17
AQRUN Colors	19
AQRUN Mid-top	29
AQRUN Mid-top Details	30
AQRUN Mid-top Colors	32
Company Contact Information	33



With DiCAPac waterproof cases, you'll meet a perfect companion that keeps your devices secure even underwater. It's the ultimate choice for an amazing underwater experience!

DiCAPac waterproof cases have obtained both JIS IPX8 and IP68 ratings!

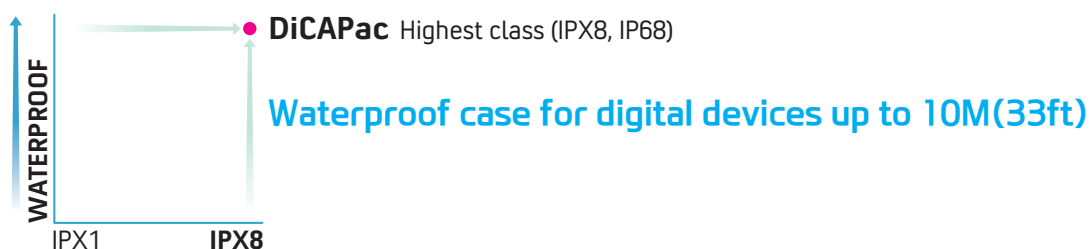
JIS IPX8 is one of the waterproofing ratings according to the Japanese Industrial Standards (JIS), indicating the waterproof capability of electronic products and other equipment. The IPX8 rating is particularly suitable for devices that can be used underwater for extended periods.

"JIS" stands for Japanese Industrial Standard, and in "IPX8," "IP" abbreviates "Ingress Protection," signifying the degree to which external elements like water and dust can penetrate the device. The "X" denotes the dust protection level, while "8" represents the degree of protection against water ingress.

IPX8: Protection during continuous immersion in water.

IP68 is an international standard that indicates the dustproof and waterproof capabilities of electronic devices and equipment.

"IP" stands for Ingress Protection, "6" signifies complete dust protection, and "8" indicates protection from water. This signifies that devices with an IP68 rating offer a high level of protection from dust and water, making them suitable for challenging environments and underwater use.





FLAGSHIP PRODUCT | WP-C2

Waterproof case, 'WP-C2', showcases our company's expertise. Designed as a universal size, it fits smartphones with screens up to 6.9 inches, including popular models like the iPhone series and Galaxy series. With an impressive IPX8 rating, it remains watertight up to 10 meters (33ft) underwater. The case features a precision-engineered polycarbonate lens on the rear, enabling you to capture pristine and vibrant images even in aquatic settings. Equipped with a reliable airbag mechanism, it floats to prevent smartphone loss when submerged.

FLOATING WATERPROOF PHONE CASE

FLAGSHIP PRODUCT | WP-C2

Features

- Waterproof up to 10M
- Universal smartphone model up to 6.9 inches
- Polycarbonate lens window
- Built-in airbag keeps the case floating
- Dual-padded edge protection
- Sound penetrates
- Adjustable neck strap included
- JIS IPX8 attained

iPhone XR, XS, XS Max, 11, 12, 13, 14, 15 series

Galaxy Galaxy S & Note, Plus, Ultra series

Model	WP-C2	Size (WxH)	110 x 202mm
Waterproof	10M	Weight	60g
Display	up to 6.9"	Color	
Materials	PVC, TPU, Polycarbonate	Origin	Made in KOREA



PC lens

Dual Layer

Airbag

Neck strap



MAINLINE PRODUCT | WP-C2s

Features

- Waterproof up to 10M
- Universal smartphone model up to 6.9 inches
- Super clear lens
- Built-in airbag keeps the case floating
- Sound penetrates
- Adjustable neck strap included
- JIS IPX8 attained

iPhone XR, XS, XS Max, 11, 12, 13, 14, 15 series

Galaxy Galaxy S & Note, Plus, Ultra series

Model	WP-C2s	Size (WxH)	120 x 210mm
Waterproof	10M	Weight	60g
Display	up to 6.9"	Color	
Materials	PVC, TPU	Origin	Made in KOREA



Super clear lens

Airbag

Neck strap

FLOATING WATERPROOF PHONE CASE



MAINLINE PRODUCT | WP-AQ10

Features

- Waterproof up to 10M
- Easy open & lock system
- Dual side airbag (float)
- Sound penetrates
- Adjustable neck strap included
- Flexible case
- IP68 attained

iPhone XR, XS, XS Max, 11, 12, 13, 14, 15 series
Galaxy Galaxy S & Note, Plus, Ultra series



Easy open & lock system Dual Airbag Clear window Neck strap

Model	WP-AQ10	Size (WxH)	128 x 225mm
Waterproof	10M	Weight	60g
Display	up to 6.9"	Color	
Materials	ABS, TPU	Origin	China OEM

● WORLDWIDE STORE DISPLAYS



SAMSUNG Waterpark



DiCAPac can be sold anywhere around the world!

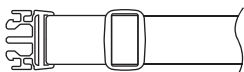
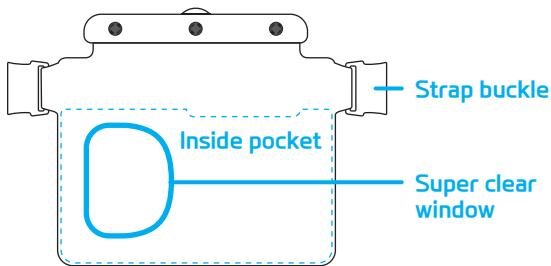
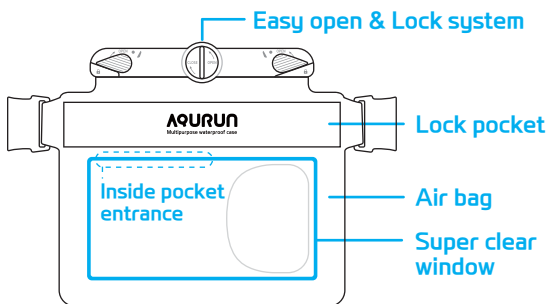
Now it's your turn!

MULTIPURPOSE WATERPROOF CASE

WATERPROOF SLING BAG | WP-SB30




Product Details



Strap size : 64cm~115cm



Model WP-SB30
Waterproof 5M
Materials ABS, TPU, Polyester

Size (WxH) 350 x 230mm
Weight 140g
Color 
Origin China OEM

Features

- Slim & Stylish design
- Used alone with a smartphone, touch and camera functions are available
- Adjustable strap for waist or crossbody carry
- Quick clasp release with side-squeeze buckle
- Keep your travel essential in reach & safe

MULTIPURPOSE WATERPROOF CASE

MULTIPURPOSE WATERPROOF CASE | WP-565



Features

- Transparent front and back, allowing for smartphone use
- Touch, call and camera-friendly
- Multi-pack for personal belongings
- Includes a convenient neck strap

Model	WP-565	Size (WxH)	120 x 210mm
Waterproof	10M	Weight	53g
Display	up to 6.9"	Color	<input type="checkbox"/> <input type="checkbox"/> <input type="checkbox"/> <input type="checkbox"/> <input type="checkbox"/>
Materials	PVC, TPU	Origin	Made in KOREA

MULTIPURPOSE WATERPROOF CASE | WP-M50



Features

- The front is transparent, allowing you to easily see your personal belongings
- Specially designed for larger personal items than WP-565 size
- Includes a convenient neck strap

Model	WP-M50	Size (WxH)	165 x 210mm
Waterproof	10M	Weight	60g
Display	--	Color	<input type="checkbox"/> <input type="checkbox"/> <input type="checkbox"/> <input type="checkbox"/> <input type="checkbox"/>
Materials	PVC, TPU	Origin	Made in KOREA


• Sizes by Model

	Smartphone Waterproof Case			Multipurpose Waterproof Case		
Model	WP-C2	WP-C2s	WP-AQ10	WP-565	WP-M50	WP-SB30
Size (WxH)	110 x 202mm	120 x 210mm	128 x 225mm	120 x 210mm	165 x 210mm	350 x 230mm
Waterproof	10M	10M	10M	10M	10M	5M

DSLR CAMERA WATERPROOF CASE


Mirrorless camera | WP-S3



Model WP-S3
Waterproof 5M
Materials PVC, TPU, ABS, PC, Silicone
Size (WxH) 195 x 170mm
Weight 197g
Color 
Origin Made in KOREA

Mid-sized DSLR camera | WP-S5

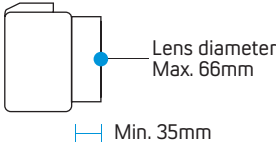
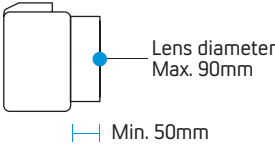
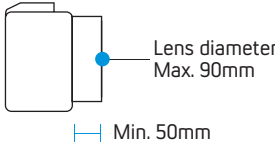
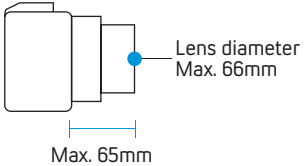
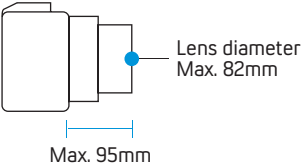
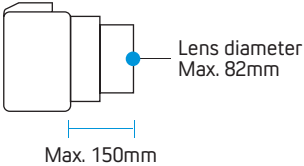


Model WP-S5
Waterproof 5M
Materials PVC, TPU, ABS, PC, Silicone
Size (WxH) 210 x 190mm
Weight 350g
Color 
Origin Made in KOREA

Features

- Waterproof up to 5M
- Access to key functions
- Clear pictures by UV-coated polycarbonate
- Highly transparent to visible light
- Neck strap, sponge and manual included
- ⊘ Please take off your UV, PL, etc filters

• Fitting guide (Lens size)

WP-S3	WP-S5	WP-S10
Diameter : Max. 66mm(2.6 inches) Length : Min. 35mm ~ Max. 65mm	Diameter : Max. 90mm(3.3 inches) Length : Min. 50mm ~ Max. 95mm	Diameter : Max. 90mm(3.3 inches) Length : Min. 50mm ~ Max. 150mm
▼ Standard		
 Lens diameter Max. 66mm Min. 35mm	 Lens diameter Max. 90mm Min. 50mm	 Lens diameter Max. 90mm Min. 50mm
▼ Extended		
 Lens diameter Max. 66mm Max. 65mm	 Lens diameter Max. 82mm Max. 95mm	 Lens diameter Max. 82mm Max. 150mm
For auto zoom lens only	For single and standard zoom lens only	For single and standard zoom lens only

Caution

1. Do not use zoom function in the water.
2. Take off UV, PL, and other filters. It causes rainbow effect on photos.



Do not use with:



Motor drive



Wide angle lens



Telephoto lens



There are many things you can do with your camera in the water.



Large-sized DSLR camera | WP-S10

Features

- Waterproof up to 5M
- Access to key functions
- Clear pictures by UV-coated polycarbonate
- Highly transparent to visible light
- Neck strap, sponge and manual included

⊘ Please take off your UV, PL, etc filters

Model	WP-S10	Size (WxH)	270 x 230mm
Waterproof	5M	Weight	430g
Materials	PVC, TPU, ABS, PC, Silicone	Color	■
		Origin	Made in KOREA





© 2023 DICK'S Sporting Goods, Inc. All Rights Reserved.



Experience Unforgettable Moments with AQURUN Aqua Shoes

Experience the perfect fit with Aqurun. These shoes are equipped with a specially designed TPR drainage system that effortlessly removes water. Crafted from spandex, a stretchy and lightweight material, they provide excellent protection for your feet. To maintain them, simply roll them up a few times and let them air dry for a day.



Find your color and get ready for the beach!



ENJOY WATER ADVENTURE WITH AQURUN AQUA SHOES

Enjoy a wide range of water activities with confidence in AQURUN aqua shoes. These premium shoes offer excellent slip resistance, keeping you safe from slips, falls, and foreign substances. Discover Aqurun, the ultimate choice for aquatic sports.



Experience Foot Freedom with AQURUN Aqua Shoes



MM	160	170	180	190	200	210	220	230	240	250	260	270	280	290	300
US	9.5 (TD)	11 (TD)	12 (TD)	13 (TD)	1.5Y	2.5Y	3.5Y 5W	4.5Y 6.5W	5.5Y 8W	8.5W 7.5M	10W 8M	9	10	11.5	12.5
UK	8.5	10	11	12	13.5	1.5Y	2.5Y	3.5Y	4.5Y	7W	9W	8	9.5	11	12
AU	(TD)	(TD)	(TD)	(TD)	(TD)			5W	6W	6M	7M				
EU	25 ~26	27 ~28	29 ~30	30 ~31	31 ~33	33 ~34	34 ~35	35 ~36	36 ~37	38 ~40	40 ~42	42 ~43	43 ~44	44 ~45	45 ~46

Size varies by 10mm | TD = 2-4 years Y = 4-12 years W = women M = men

All The Good Points Contained By Aqua Shoes, That's AQURUN



Comfortable Aqua Shoes, AQURUN

Providing safety and comfort to your feet with spandex and TPR that feels weightless. The insole is made with EVA and Fabric on the top, offering high drainage and breathability.

Ultra Light

At only 130g, you won't feel a thing.
Crafted for comfort with spandex and TPR.

Seamless one-piece design

Upper and outsole stay firmly attached,
thanks to our precise heat and
pressure injection method.

Cool and Dry

Quickly dries after leaving the water,
keeping you comfortable with efficient
water and sand removal.

Dedicated Insole

A dedicated insole will help with
drainage and ventilation when jogging,
running and walking.

Drainage System

Drainage hole

Aqurun's enhanced water drainage system
minimizes water and sand inside the shoes.



Flexibility

The spandex upper and TPR outsole
flex easily for storage or moisture
removal without concerns.

Water Grip TPR outsole

Aqurun creates the upper and outsole as a single unit without stitching or gluing.
The TPR outsole provides a strong grip in water and offers elasticity.



Find your color and
get ready for the beach!



Edge Black



Edge Pink



Edge Blue



Edge Mint



Edge Yellow



Edge Lime Green



Basic Blue



Basic Silver

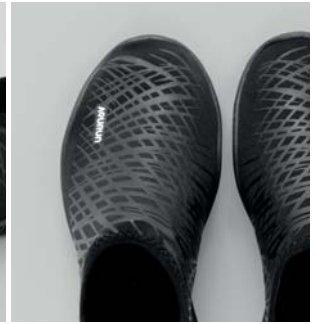
MODEL : AQURUN (Edge, Basic)
UPPER : Polyester 90.8% + Polyurethane 9.2%
INSOLE : Polyester
OUTSOLE : TPR
ORIGIN : China OEM or Vietnam OEM



Enjoy Water Adventure With AQRUN Aqua Shoes



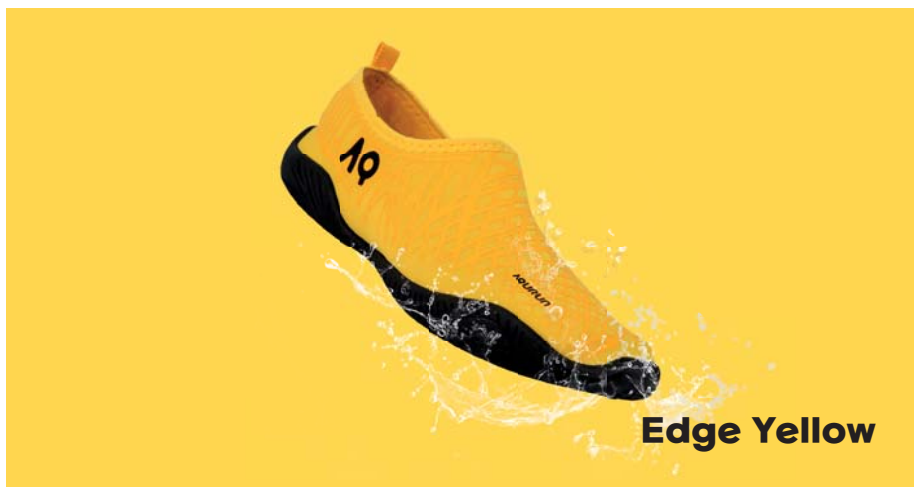
Edge Black



Edge Pink



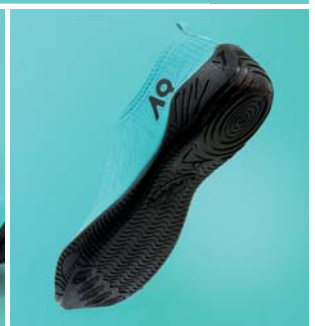
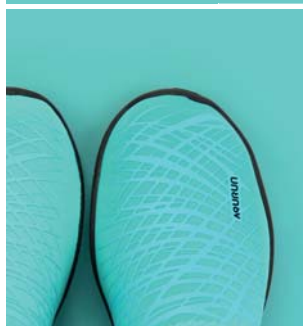
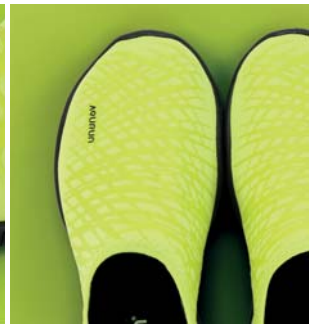




Experience Foot Freedom with AQURUN Aqua Shoes



All The Good Points Contained By Aqua Shoes, That's AQRUN





Comfortable Aqua Shoes
AQRUN





ENJOY WATER ADVENTURE WITH AQRUN AQUA SHOES
AQRUN MID-TOP

AQRUN MID-TOP



Velcro around the ankle provides sturdy support for water sports

Functionality

Quick-dry and high-quality spandex upper UV protection and excellent breathability.



Toe Cap

Safely protected from the cap to the tip, guarding against potential injuries during outdoor activities.

Perfect fit

External heel support ensures a snug fit.



Drainage System

Aqurun's enhanced water drainage system minimizes water and sand inside the shoes.

Water Grip TPR outsole

Aqurun creates the upper and outsole as a single unit without stitching or gluing. The TPR outsole provides a strong grip in water and offers elasticity.



Comfortable Aqua Shoes, AQURUN

MODEL : AQURUN MID-TOP
UPPER : Polyester 90.8% + Polyurethane 9.2%
INSOLE : Polyester
OUTSOLE : TPR
ORIGIN : China OEM or Vietnam OEM



**Ultra Light
Cool and Dry
Dedicated Insole
Seamless one-piece Design**

MM	200	210	220	230	240	250	260	270	280	290	300
US	1.5Y	2.5Y	3.5Y 5W	4.5Y 6.5W	5.5Y 8W	8.5W 7.5M	10W 8M	9	10	11.5	12.5
UK AU	13.5 (TD)	1.5Y	2.5Y	3.5Y 5W	4.5Y 6W	7W 6M	9W 7M	8	9.5	11	12
EU	31 ~33	33 ~34	34 ~35	35 ~36	36 ~37	38 ~40	40 ~42	42 ~43	43 ~44	44 ~45	45 ~46

Size varies by 10mm | TD = 2~4 years | Y = 4~12 years | W = women | M = men



DiCAPac[®]

DIGITAL DEVICE WATERPROOF CASE

DiCAPac Co., Ltd.

DiCAPac Bldg., 51-28, Yeongsan-gil, Hojeo-myeon, Wonju-si, Gangwon-do, 26302 Korea
T. +82. 33. 731. 4533 **F.** +82. 33. 731. 4038 **E-mail.** info@dicapac.com

DiCAPac USA Inc.

4210 L.B. McLeod Road, Suite 116, Orlando, Florida 32811, USA
E-mail. info@dicapacamerica.com



AQURUN[®]

Experience Foot Freedom with AQURUN Aqua Shoes

DiCAPac[®]



AQURUN[®]